

750 STANDARD

underground hydraulic operator for residential and light commercial swing gates with single leaf max weight of 1760 lb

available at AFW Access Systems

Phone: 305-691-7711 • Fax: 305-693-1386 • E-mail: sales@anchormiami.com • Web Site: AnchorMiami.com



EXPERTLY VERSATILE AND INVISIBLE

The FAAC 750 offers a range of 3 different operators with or without hydraulic locking designed to automate swing gates up to 3.5 metres per leaf. The underground system is invisible and silent, and is the ideal solution for artistically valuable old gates and portals.

VERY POWERFUL AND MECHANICALLY EFFICIENT

The whole 750 range can easily automate gates with leaves weighing up to 800 kg each. The system consists of a sturdy, compact, underground drive unit, and a hydraulic pump unit available in three different models.

All components are integrated in a hydraulic circuit providing continuous lubrication and cooling.

SAFE BOTH INSIDE AND OUT

The exclusive hydraulic device, ensuring maximum anti-crushing protection, features two highly sensitive by-pass valves. In case of an emergency, a key-protected release device, in an easy-to-access position, makes it possible to operate the gate manually. The power of hydraulic locking gives the system exceptionally high resistance against break-in attempts.

CONSTANT PERFORMANCE THROUGH TIME

Reliability is assured under all atmospheric conditions and at extreme temperatures in the range - 20° C to + 55° C.

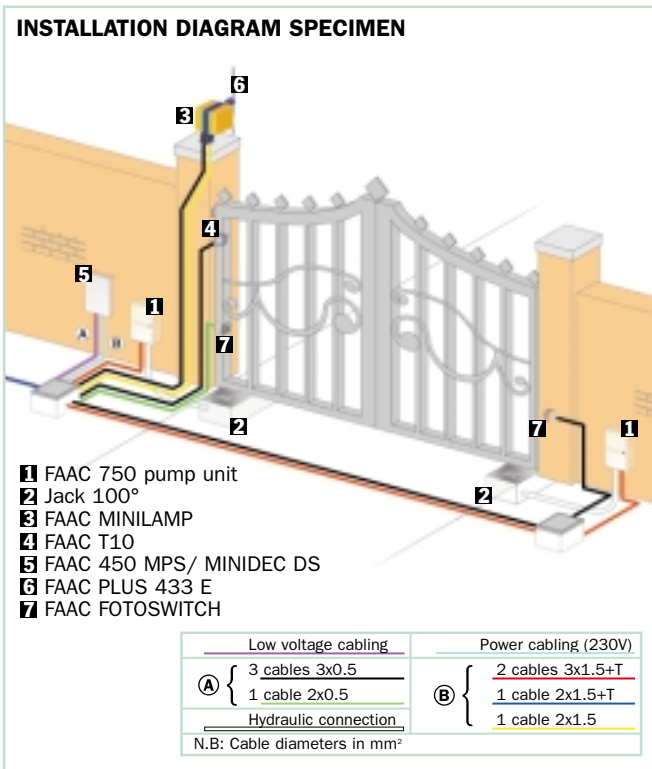
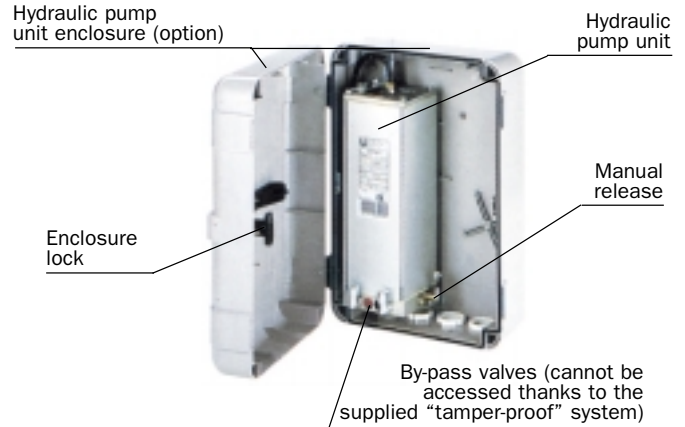
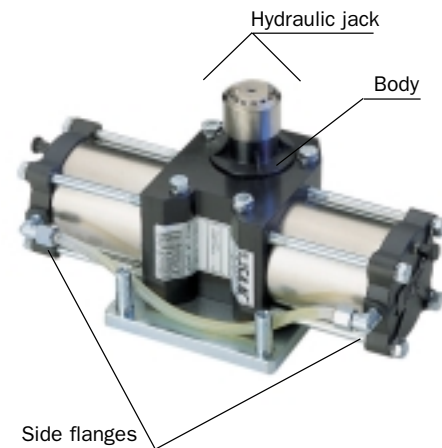
And that's not all - the FAAC hydraulic device requires very little maintenance and has another advantage too: it's low on electrical power consumption.

SPECIFICATIONS

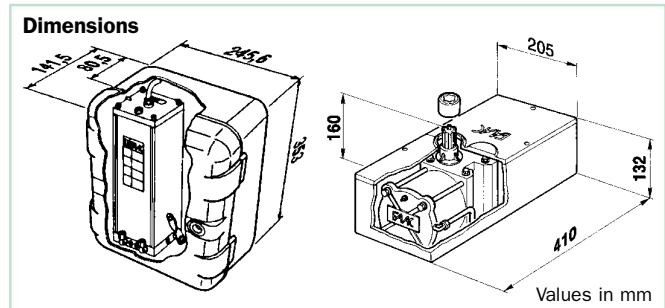
Hydraulic pump unit • Models with hydraulic locking at opening and closing and without hydraulic locking • Models with max leaf length up to 3.5 m • Max use frequency 45 cycles/hour • Electric motor power supply 230 V (+6% -10%) - 50(60) Hz • Electric motor power 220 W • Thermal protection at 120°C built into motor winding • Operating ambient temperature -20°C +55°C • Lever operated built-in release device • Single-phase motor with two rotation directions • Hydraulic gerotor pump (max low noise) • Pump flow rate 0.5 l/m and 0.75 l/m • Die-cast distribution flange • Separate control of opening and closing force by by-pass valves with tamper-proof plate • Anti-crushing safety to UNI 8612 standard • Tank in anodised aluminium • Air breather screw • Oil filling plug with level stick • Mineral hydraulic oil with additives

Enclosure for hydraulic pump unit (optional) • ABS enclosure • Protection class IP55 • Wall- or flush-mounting • Designed for securing to DIN guide • Designed for installation of door locking switch • Fuse-holder • Seats for capacitor supports • Removable hinges for right or left opening • Lock with triangular or customized key (optional) • Dimensions (l x h x d): 246 x 353 x 142 mm

Hydraulic jack • Hydraulic jack with rack piston and transmission shaft • Leaf max weight 800 Kg • Max torque 543 Nm (with hydraulic units with pump capacity of 0.75 l/m)/5.2°/s (with hydraulic units with pump capacity of 0.5 l/m) • Angular velocity 7.8°/s (with hydraulic units with pump capacity of 0.75 l/m)/7.8° Nm (with hydraulic units with pump capacity of 0.5 l/m) • Models with rotation maximum angle 118° and 200° • Body in extruded aluminium • NIPLOY treated jack liner • NIPLOY-treated transmission shaft • Height adjustment dowels • Protection class IP67



Model	Use			
	Single leaf max length (m)	Single leaf max weight (kg)	Nr. of leaves	Use frequency (cycles/hour)
Pump unit 750 CBAC	1,80	/	1	45
Pump unit 750 SB	2,50	/	1	45
Pump unit 750 SBS	3,50	/	1	30
100° Opening jack	/	800	1	/
180° Opening jack	/	800	1	/



Electronic control equipment	
Model	Specifications
410 MPS	See page 88
450 MPS	See page 88
460 P	See page 89

N.B.: Timed electronic deceleration is possible by using the 460 P equipment. By combining the device with GATECODER, in addition to electronic deceleration, the electronic obstacle detection function is also available. (see page 89)

Technical specifications of hydraulic jack	100° opening	180° opening
Rotation maximum angle	118°	200°
Effective torque	272 Nm (750 SBS)	543 Nm (750 CBAC-SB)
Angular velocity	5,2°/s (750 SBS) - 7,8°/s (750 CBAC-SB)	
Protection class	IP 67	

Technical specifications of hydraulic pump unit	750 CBAC	750 SB	750 SBS
Power supply	230 V~ (+6% -10%) 50 (60) Hz		
Absorbed power	220W		
Absorbed current	1 A		
Motor rotation speed	1400 rpm		960 rpm
Pump flow rate	0,75 l/min		0,5 l/min
Operating ambient temperature	-20°C +55°C		
Protection class	IP 55		
Thermal protection on motor winding	120°C		
Weight	7 kg		
Type of oil	FAAC OIL XD 220		