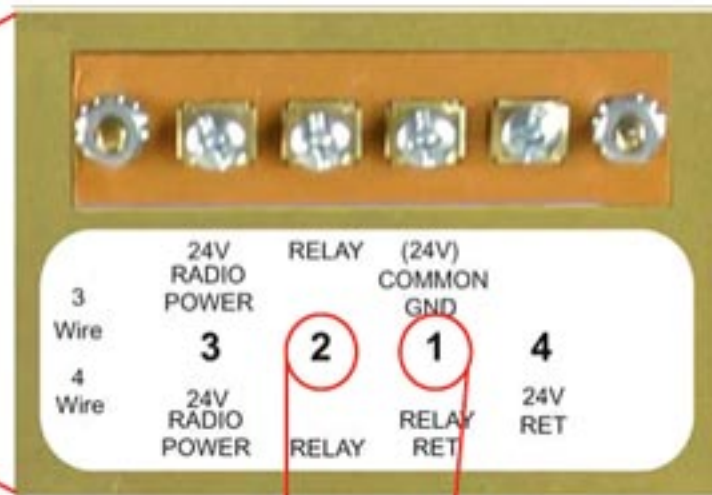
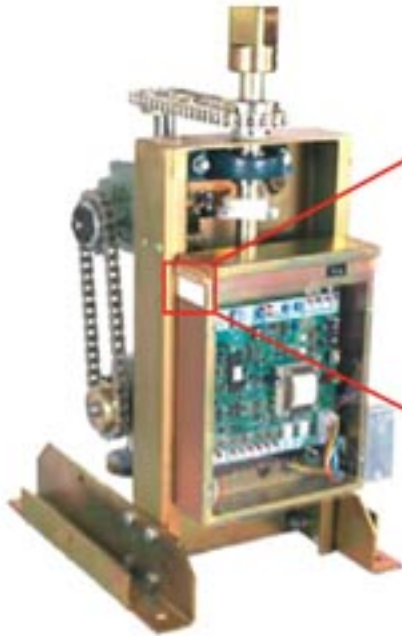


Receiver Connections

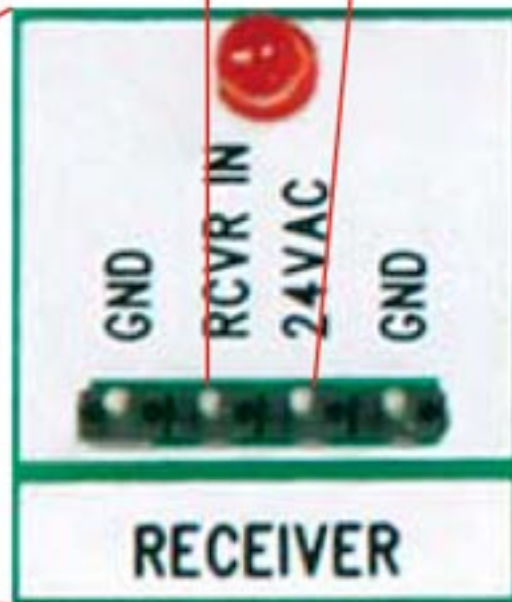
Receiver terminal is mounted on the control box for easy installation and is pre-wired for a 3-wire or a 4-wire receiver.



4-Wire Connections

3-Wire Connections

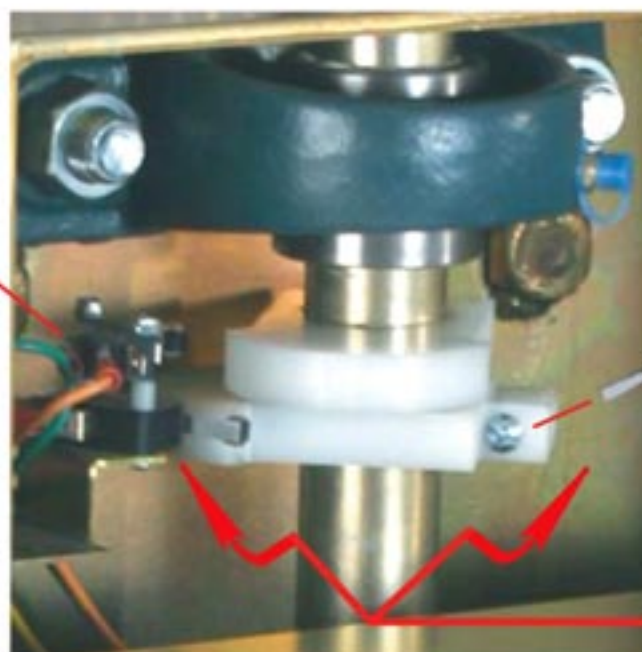
When installing 4-wire, use terminals 1 & 2. For relay connection and 24 VAC Power, use terminals 3 & 4



Gate Travel Distance / Setting The Limit Switches

The limit switches must be set so that the gate stops at the proper position. Follow these instructions to appropriately set the limit switches.

Limit Switches



① Loosen Screws

Make Adjustments ②

③ Tighten Screws