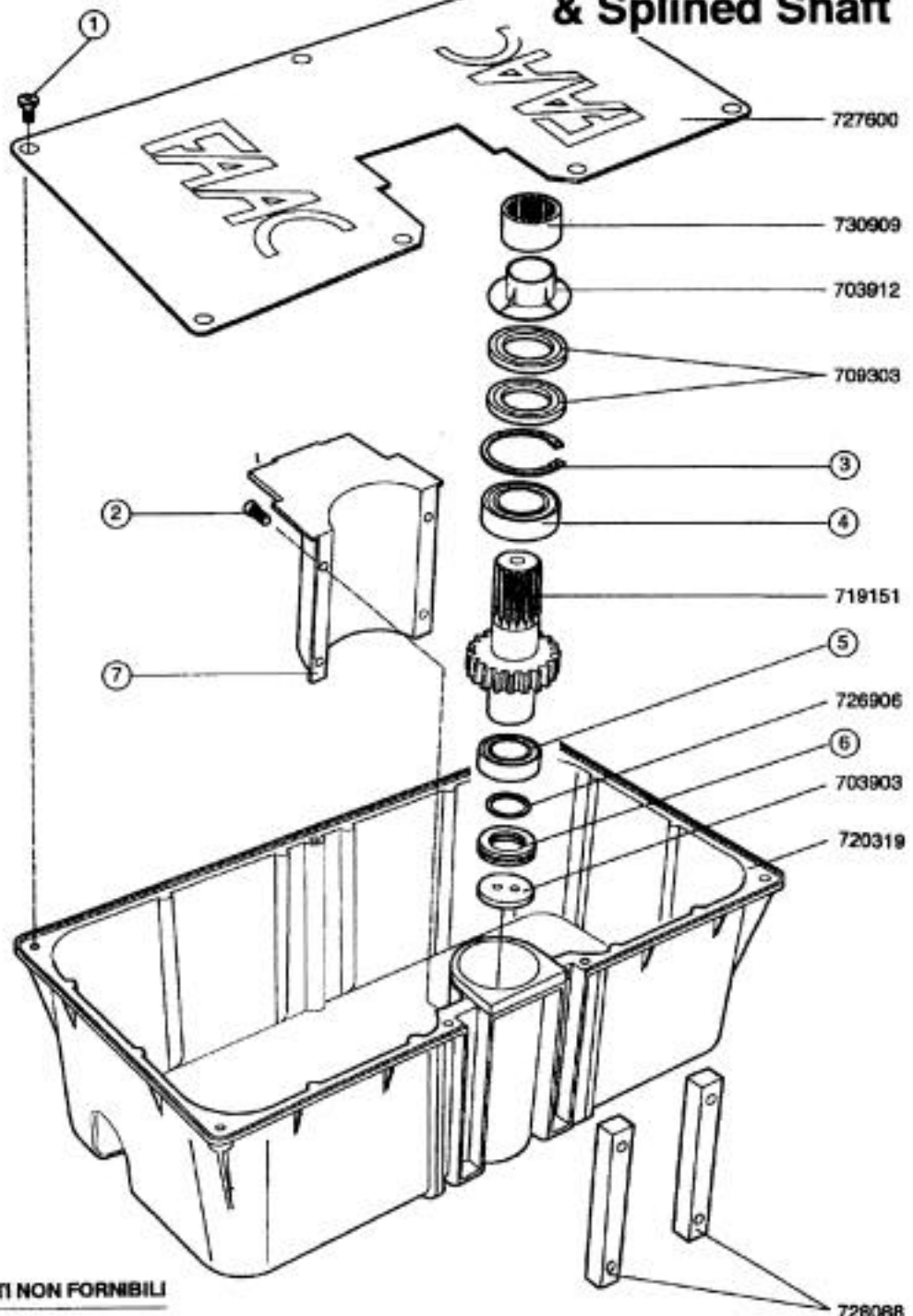


# Exploded View

# 760 Mounting Box & Splined Shaft



**rif. PARTI NON FORNIBILI**

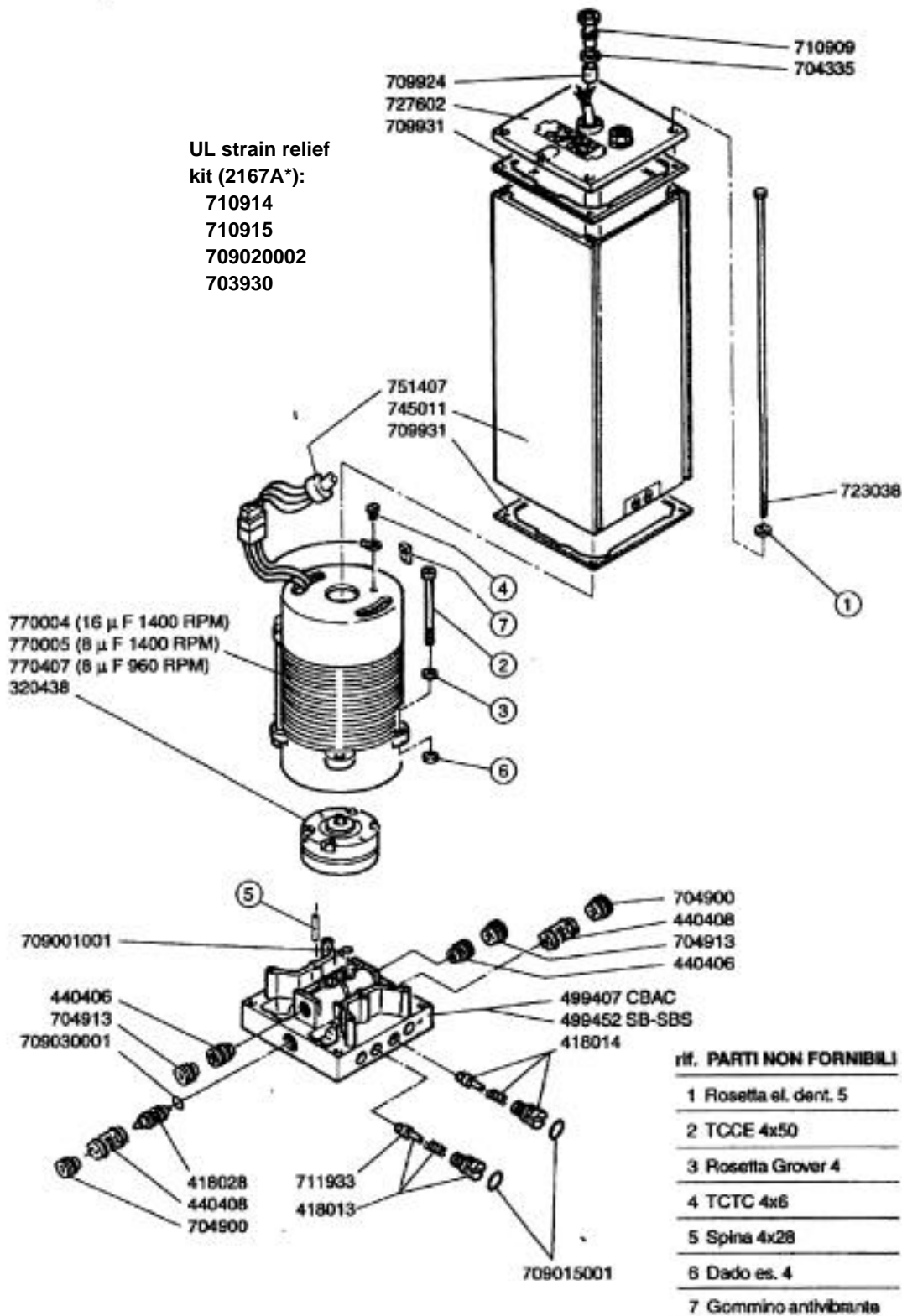
1 TBIC 6x10 7687 Inox	5 Cuscinetto 6005-25-47-12
2 TCEI 8x35 5931 8G Z	6 Cuscinetto 51105
3 Seeger I55 7437	7 Staffa
4 Cuscinetto 6006-30-55-13	

0.0	06.95	00.00	
-----	-------	-------	--



# Exploded View — 760 CBAC-SB-SBS

UL strain relief  
kit (2167A\*):  
710914  
710915  
70902002  
703930



**ref. PARTI NON FORNIBILI**

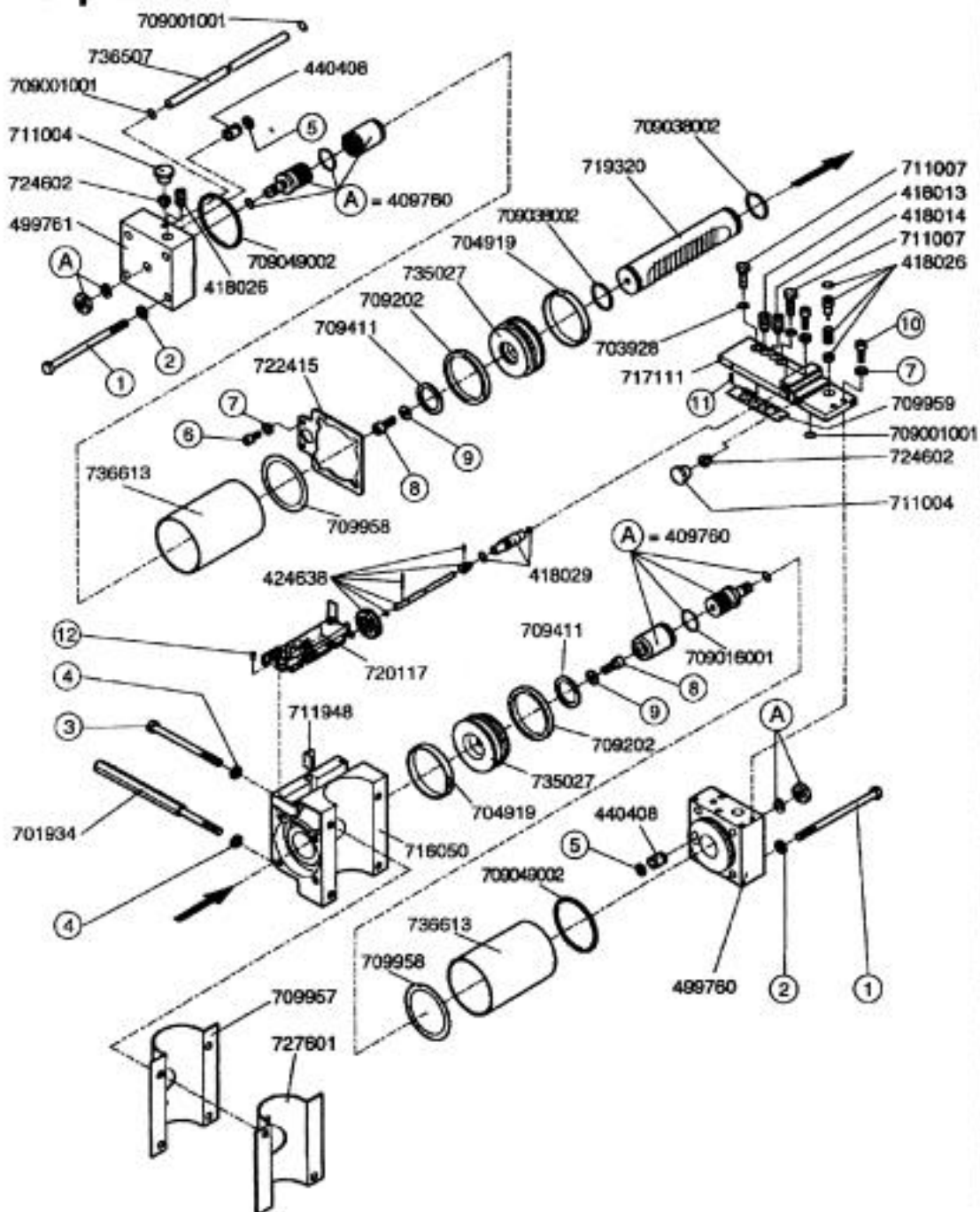
- 1 Rosetta el. dent. 5
- 2 TCCE 4x50
- 3 Rosetta Grover 4
- 4 TCTC 4x6
- 5 Spina 4x28
- 6 Dado es. 4
- 7 Gommino antivibrante

0.0	06.95	00.00	3.90.760.000
-----	-------	-------	--------------



# Exploded View

# 760 CR



rif. PARTI NON FORNIBILI

1 TE 10X150 5737 8.8 Z	6 TCEI 6X12 5931 Z	11 Spina 3X12 UNI 1 707
2 Ros. Grover 10 7980 Z.G.	7 Ros. Grover 6 1751 Z	12 Autoform. 4X12 8112 PZ/TT Z
3 TE 8X110 5737 Z	8 TCEI 8120 5931 8.8 Z	
4 Ros. Grover 6 1751 Z	9 Rosetta 8 6592 R40 Z	
5 Seeger I 15 7437	10 TCEI 6X20 5931 Z	

0.0    06.95    00.00    3.90.790.000