

844 MC

gearmotor for sliding gates with max weight of 3960 lb

available at AFW Access Systems

Phone: 305-691-7711 • Fax: 305-693-1386 • E-mail: sales@anchormiami.com Web Site: AnchorMiami.com



IDEAL FOR COMMERCIAL OR INDUSTRIAL GATES

The FAAC 844 gearmotor was designed to move the heaviest commercial or industrial gates in the simplest, most convenient way.

TOTAL SAFETY

The special twin-disk anti-crushing clutch, in oil bath, enables thrust adjustment from 0 to 110 daN. As the gearmotor is non reversing, no electric locks need be installed and, in the event of power failure, the key-operated release device makes it possible to open and close the gate manually.

LONG LIFE

Constant, complete oil-bath lubrication of mechanical components plus assembly in a high resistance pressure-cast aluminium body ensure a very long life.

RELIABLE, SAFE ELECTRONICS

All commands come from a FAAC designed control board with microprocessor, on the leading-edge in terms of safety and reliability. Leaf stopping space can be electronically programmed.

EASY AND INEXPENSIVE

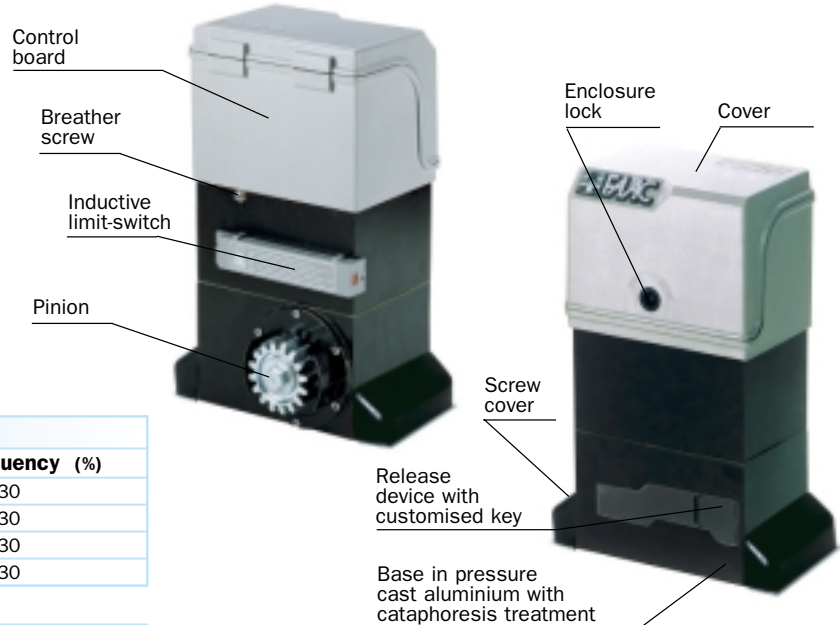
The electronic equipment housed inside the gearmotor facilitates and speeds up installation, at lower cost.

844 MC Z16 CR SPECIFICATIONS

Non-reversing screw gearmotor • Gate maximum weight 1,800 Kg • Gate speed 9.5 m/min • Use frequency max. 30% • Max thrust 110 daN • Electric motor power supply 230 V (+6% -10%) - 50 (60) Hz • Electric motor power 650 W • Thermal protection at 130°C built into motor winding • Operating ambient temperature -20°C +55°C • Protection class IP 44 • Lever operated release device with coded key • Single-phase, bi-directional motor (1,400 rpm) • Pinion gear Z 16/module 4 • Inductive limit-switch • Lower and upper half-body in pressure cast aluminium with cathoporesis treatment • Twin-disk clutch in oil-bath • Anti-crushing safety to UNI 8612 standards • Opening/closing force adjustable by hexagonal key • Galvanised foundation plate with side and height adjustment (optional) • Dimensions (L x W x H) 280 x191 x 385 mm • Built-in electronic card • ABS electronic card enclosure with triangular key

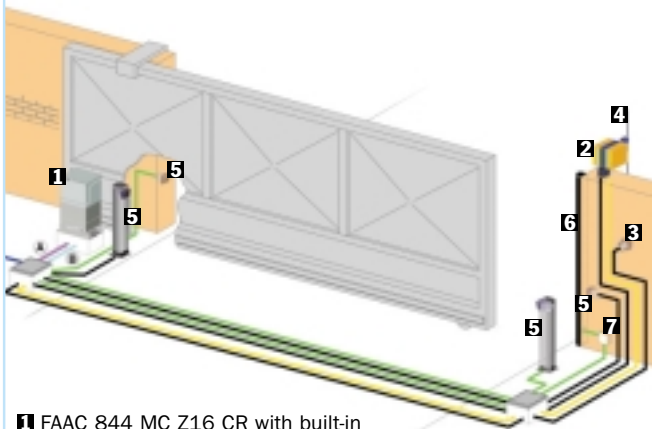
844 MPS electronic card

Electronic card with limit-switch inputs for controlling sliding gate gearmotors • Motor max load of 650W • 24 Vdc - 500 mA max. output for accessories • Microprocessor control • 3 protection fuses (motor/accessories - transformer) • Connector for card receiver/decoding cards • Separate high and low voltage terminal boards • Inputs status signalling LEDs • Programming Dip Switches • Braking control trimmer • Automatic (A1-S1-S2) and semi-automatic (E1) function logics • Two logics for safety devices (Dip Switches) • Pause times in selection range of 5 s to 180 s (Dip Switches) • Selectable 5 s pre-flashing (Dip Switch) • Inputs: closing safety devices, stop push-button, total opening push-button, and limit-switch • Outputs: power supply for accessories, motor, flashing lamp and indicator-light



Model	Use	
	Max weight (kg)	Use frequency (%)
844 MC Z16 CR	1.800	30
844 MC CR	1.800	30
844 MC CAT (*)	1.800	30
844 MC RF (*)	1.800	30

INSTALLATION DIAGRAM SPECIMEN

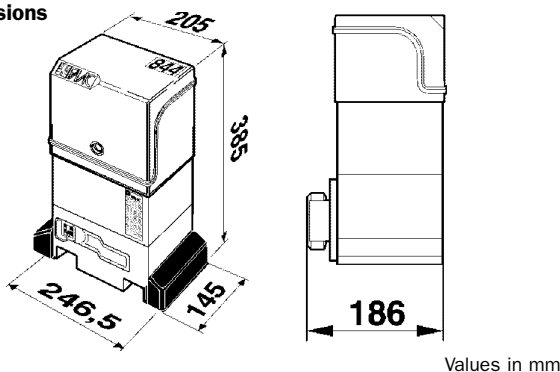


- 1 FAAC 844 MC Z16 CR with built-in control board/MINIDEC DS
- 2 FAAC MINILAMP
- 3 FAAC T10
- 4 FAAC PLUS 433 E
- 5 FAAC FOTOSWITCH
- 6 SAFETY EDGE
- 7 JUNCTION BOX with pressure switches

Low voltage cabling		Power cabling (230V)	
A	4 cables 3x0,5	B	1 cable 2x1,5+T
	3 cables 2x0,5		1 cable 2x1,5

N.B.: Cable diameters in mm?

Dimensions



Technical specifications of 844 MC	Z16 CR	MC CR	MC CAT	MC RF
Power supply	230 V~ (+6% -10%) 50 (60) Hz			
Absorbed power	650W			
Absorbed current	3.5 A			
Traction and thrust force	0÷110 daN (Z16)			
Motor rotation speed	1.400 rpm			
Reduction ratio	1:30			
Operating ambient temperature	-20°C +55°C			
Weight with oil	14.5 kg			
Protection class	IP 44			
Type of oil	FAAC OIL XD 220			
Gate speed	9.5 m/min (Z16)			
Thermal protection on motor winding	130°C			
Electric motor	Single-phase, bi-directional			
Limit-switch	Inductive			
Clutch	Twin-disk in oil-bath			

Specifications of 844 MPS electronic equipment (Built into Model 844 MC Z16 CR)

Power supply	230 V~ (+6% -10%) 50 (60) Hz
Motor maximum load	650W
Accessories output	24 Vdc 500 mA max
Operating ambient temperature	-20°C +55°C
Three protection fuses	0.25 A transformer 5 A motor - 1.6 A accessories

- **SMT Technology**
- **Programmable functions**
 - Four function logics A1 - E1 - S1 - S2
 - Pause times
 - Operation of indicator-light
 - Pre-flashing
- **Braking control trimmer**
- **Input and limit-switch signalling LEDs**
- **Indicator-light output**

Specifications of 844 BC electronic equipment

Power supply	230 V~ (+6% -10%) 50 (60) Hz
Motor maximum load	650W
Operating ambient temperature	-20°C +55°C
Two protection fuses	5 A motor - 1 A accessories

- **Programmable functions**
 - Four "dead-man" function logics B/C/BC/CB
- **Indicator-light output**
- **Power supply and limit-switch LEDs**