

MH SERIES

Medium Duty Jackshaft Commercial Door Operator



Equipped with Chain Hoist and Floor Level Disconnect

Product No. MH5011

DOOR TYPE	MAXIMUM DOOR AREA (SQ. FEET)
Fiberglass	320
Steel-24 Ga. Steel-22 Ga. Aluminum	275
Wood Steel-20 Ga. Steel-24 Ga. insulated	250
Steel-16 Ga. Steel-20 Ga. insulated	160
Steel-16 Ga. insulated	120

1/2 HP Jackshaft garage door operator for rolling steel curtain doors.

RATINGS

- 115 VAC, Single phase, 1/2 HP only
- Maximum duty cycle: 10 cycles per hour, 75 cycles per day
- Maximum door height: 14 feet
- Shipping weight: 80 lbs.

FEATURES

- Floor level disconnect and chain hoist with interlock for manual door operation
- Manual operation will not affect limit switch settings
- Solenoid brake standard
- All steel frame
- V-belt drive from motor to clutch shaft
- Adjustable friction clutch
- 41B30 door sprocket and #41 drive chain supplied
- Standard door speed is approximately 11 inches per second
- **Solid state or electromechanical control circuit**
- Motor overload protection
- Wired to accept reversing devices
- Internally adjustable limit switches
- 1/2 HP rigid base permanent split capacitor motor
- 24-Volt control circuit with OPEN, CLOSE and STOP button station
- OPEN button (and single button) will automatically override down travel and reverse door to the full open position
- External terminals for single button (residential type) radio control

FACTORY OPTIONS

- Solid state controller: Add S to model number
- MVP-MR 3-channel open-close-stop modular receiver installed (on solid state controller model only): P/N 2650-159
- MVP-RE-24V-8W-FC 1-door open-close-stop receiver (for electromechanical controller model only): P/N 190-110554

WARRANTY

- 2 years

CUSTOMER _____

PROJECT _____

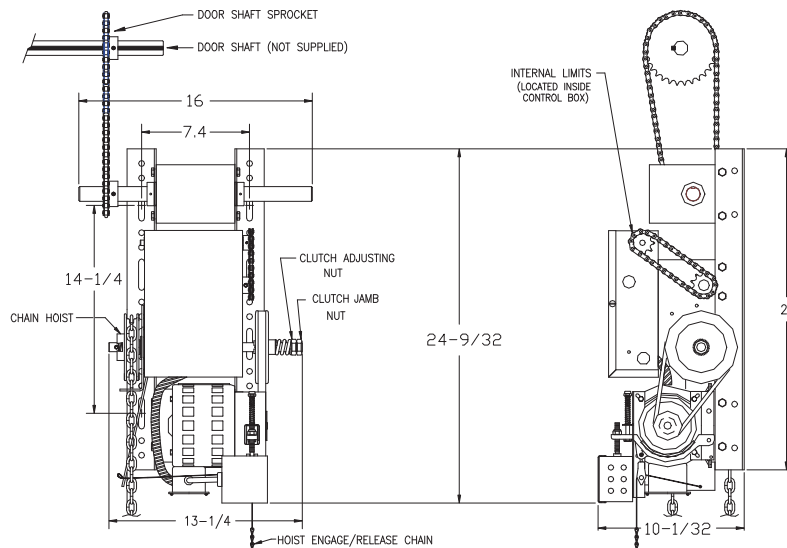
ARCHITECT/ENGINEER _____

CONTRACTOR _____

DRAWING NUMBER _____

DATE _____

SHEET _____ OF _____

**ORDERING INFORMATION:**

SUPPLY _____ LINEAR OPERATOR(S) MODEL **MH5011S** _____
 WITH A MOTOR RATING OF 1/2 HP, 115 VOLTS, 1 PHASE, 60 HERTZ
 FOR A _____ WIDE X _____ HIGH DOOR(S) WITH _____

SUPPLY _____ OPEN-CLOSE-STOP CONTROL STATION(S) IN NEMA _____ ENCLOSURE PER OPERATOR
 _____ DRIVE SPROCKET _____ DOOR SPROCKET

AUXILIARY AND OPTIONAL EQUIPMENT AS SPECIFIED BELOW OR ON ATTACHED SHEET:

ARCHITECTURAL SPECIFICATIONS (HOIST):

Electric door operator(s) shall be Solid State Control Model MH of the jackshaft hoist type, manufactured by Linear LLC and Underwriters Laboratory (UL) listed. Operators will be equipped with two-stage speed reduction (V-belt primary and roller chain and sprocket secondary) and an adjustable slip clutch. A floor level disconnect device with chain hoist will be provided for mechanical disengagement to allow for manual door operation. An electrical interlock switch will cut power to the control circuit when in manual operation. The operator will be equipped with an integral limit system that provides accurate settings to control the open and close positions of the door and will not be affected by manual door operation or motor removal. The motor and operator will be protected against overload by a thermal protector and will be equipped with a solenoid operated brake. The operator will have a 24VAC secondary solid state control circuit with advanced switch selectable features, motor load delivered via high amperage, inductive load rated relays. The operator will have provisions for connecting open-close-stop pushbutton stations, radio controls, and external obstruction sensing (reversing) systems. Operator will drive the door at a speed of approximately 8-10 inches per second.

NOTES:

REFER TO PRODUCT DATA SHEET FOR GENERAL INFORMATION
 REFER TO DRAWING _____ FOR WIRING DIAGRAM

LINEAR LLC
1950 Camino Vida Roble Ste. 150
Carlsbad, CA 92009

Phone 800-421-1587
Fax 800-468-1340
Website www.linearcorp.com

Linear[®]
Building On Innovation.