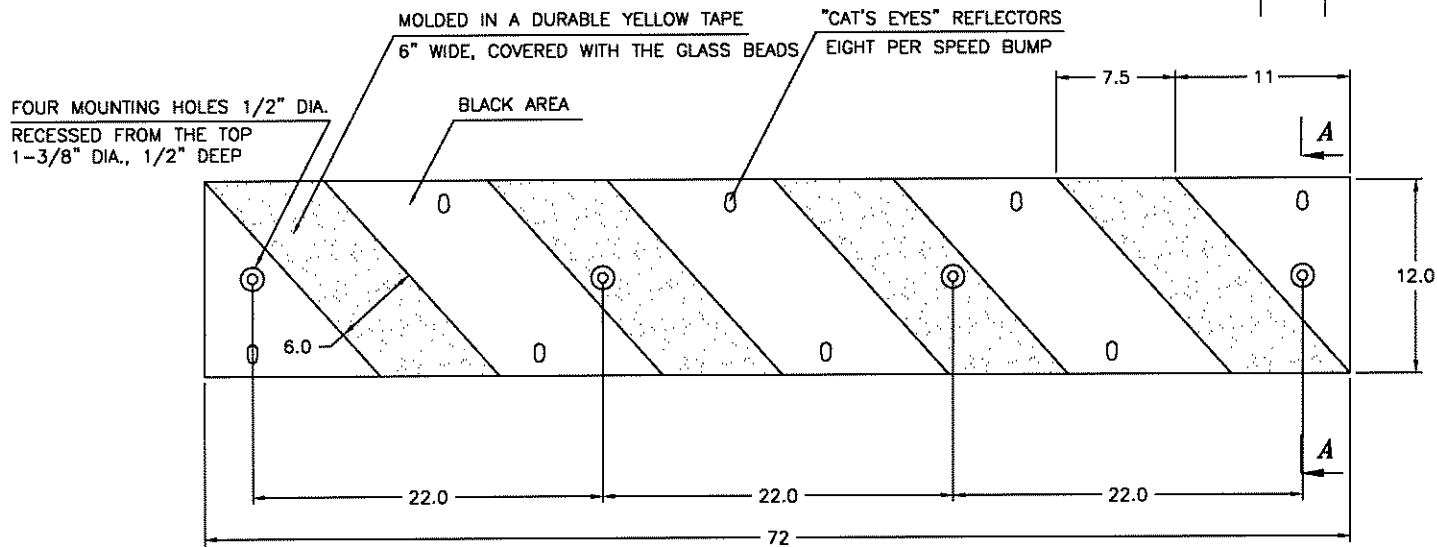


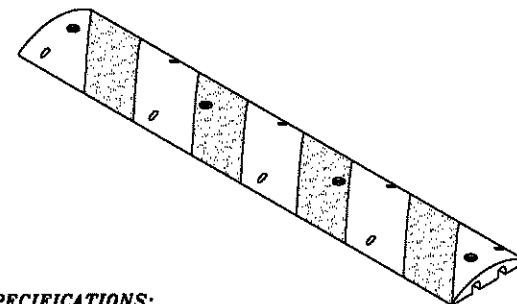
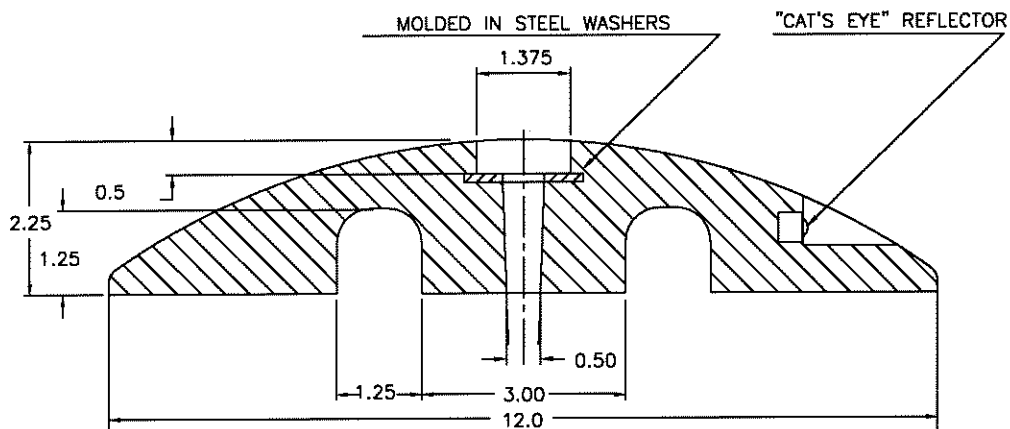
Easy Rider

TOP VIEW

REVISIONS		
REV.	DESCRIPTION	DATE



SECTION A-A



PRODUCT SPECIFICATIONS:

1. MATERIAL: COMPRESSION MOLDED RECYCLED RUBBER COMPOSITE
2. NOMINAL DIMENSIONS: 72"L x 12"W x 2.25"H
3. FOUR MOUNTING HOLES 1/2" DIA. (RECESSED 1-3/8" DIA. AND 1/2" DEEP, TO ACCOMMODATE SPIKE'S HEAD) ARE PROVIDED FOR INSTALLATION WITH SPIKES OR LAG BOLTS
4. MOLDED DURABLE, YELLOW AND REFLECTIVE PREFORMED PAVEMENT MARKING TAPE (ASTM D4061), 6" WIDE, COVERED WITH GLASS BEADS, PROVIDES GOOD VISIBILITY DURING DAY AND NIGHT
5. EIGHT "CAT'S EYES" REFLECTORS (FOUR PER SIDE) PROVIDE ADDITIONAL REFLECTIVITY AT NIGHT
6. WEIGHT OF THE PRODUCT: 76 lbs.

DRAWN		DATE		SCALE		DWG NO.		SIZE	
				1=6		6SB01-1			C
CHECKED		DATE		MATERIAL		SHEET			
DESIGN		DATE							

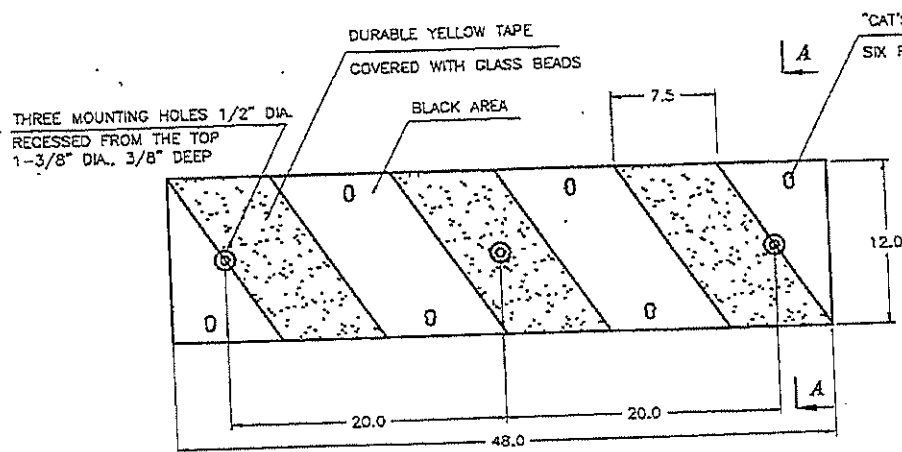
UNLESS OTHERWISE SPECIFIED :
DIMENSIONS ARE IN INCHES
TOLERANCES

DECIMALS	ANGULAR
.x ± 1/8"	±.05°
.xx ± 1/16"	

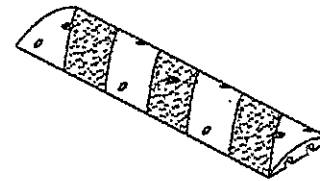
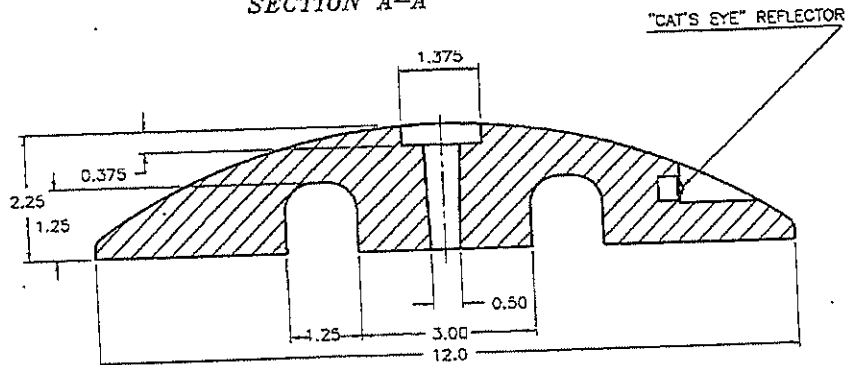
RUBBER SPEED BUMP
6 FT. MODEL, 2.25" THICK

REVISIONS		DATE
REV.	DESCRIPTION	
1	UPDATED MATERIAL AND DIMENSIONS	JULY 03/03

TOP VIEW



SECTION A-A



PRODUCT SPECIFICATIONS:

1. MATERIAL: COMPRESSION MOLDED RECYCLED RUBBER COMPOSITE
2. NOMINAL DIMENSIONS: 48" L x 12" W x 2.25" H
3. THREE MOUNTING HOLES 1/2" DIA. (RECESSED 1-3/8" DIA. AND 3/8" DEEP, TO ACCOMMODATE A WASHER OR SPIKE'S HEAD) ARE PROVIDED FOR INSTALLATION WITH SPIKES OR HILT ANCHORS
4. THREE DURABLE YELLOW STRIPES MOLDED IN THE PRODUCT AND COVERED WITH GLASS BEADS PROVIDE GOOD VISIBILITY DURING DAY AND AT NIGHT
5. SIX "CAT'S EYES" REFLECTORS (THREE PER SIDE) PROVIDE ADDITIONAL REFLECTIVITY AT NIGHT
6. WEIGHT OF THE PRODUCT: 32 lb.

THIS DRAWING IS THE PROPERTY OF GNR TECHNOLOGIES INC. AND SHALL NOT BE REPRODUCED, COPIED, OR OTHERWISE USED FOR MANUFACTURING PURPOSES WITHOUT WRITTEN PERMISSION FROM GNR TECHNOLOGIES INC.

UNLESS OTHERWISE SPECIFIED = DIMENSIONS ARE IN INCHES		GNR TECHNOLOGIES INC.	
TOLERANCES		RUBBER SPEED BUMP	
DECIMALS	ANGULAR	4 FT. MODEL	
± 1/8"	± 30°	SCALE	1=5
± 1/16"		DWG NO.	4SB01-1
DRAWN	S. JONASZ	DATE	MAR. 02/99
CHECKED		DATE	
DESIGN	S. JONASZ	DATE	MAR. 02/99
		MATERIAL	SHEET
			C