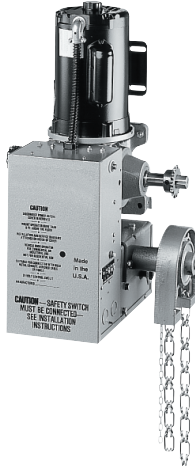


MO SERIES

Extra Heavy-Duty Gearhead Jackshaft Commercial Door Operator



Equipped with Chain Hoist and Floor Level Disconnect

Product No. See table below

DOOR TYPE	MAXIMUM DOOR AREA (SQ. FEET)				
Fiberglass	325	480	650		
Steel-24 Ga. Steel-22 Ga. Aluminum	300	430	560		
Wood Steel-20 Ga. Steel-24 Ga. insulated	275	390	500	680	
Steel-16 Ga. Steel-20 Ga. insulated	225	275	325	425	560
Steel-16 Ga. insulated	175	225	300	375	460
Operator size to use →	1/2 HP	3/4 HP	1 HP	1-1/2 HP	2 HP

MODEL	HP	VOLTAGE & PHASE
MO5011	1/2	115V 1P
MO5021		230V 1P
MO5023		230V 3P
MO5043	3/4	460V 3P
MO7511		115V 1P
MO7521		230V 1P
MO7523		230V 3P
MO7543	1	460V 3P
MO10011		115V 1P
MO10021		230V 1P
MO10023		230V 3P
MO10043	1-1/2	460V 3P
MO15011		115V 1P
MO15021		230V 1P
MO15023		230V 3P
MO15043	2	460V 3P
MO20023		230V 3P
MO20043		460V 3P

Extra heavy-duty gearhead jackshaft garage door operator for vertical or high lift sectional doors and rolling steel curtain doors.

RATINGS

- Maximum duty cycle: 35 cycles per hour, 150+ cycles per day
- Maximum door height: 24 feet
- Shipping weight: 135 lbs.

FEATURES

- Floor level disconnect and chain hoist with interlock for manual door operation
- Manual operation will not affect limit switch settings
- Oil bath gear reduction unit
- #50 Chain and sprocket, 1/2 - 1HP
- #60 Chain and sprocket, 1-1/2 - 2HP
- **Solid State (up to 3/4 HP) or electromechanical control circuit**
- Solenoid brake standard
- TEFC Motor standard on single phase 1 HP and over, and all 3 phase operators
- Motor overload protection
- Wired to accept reversing devices
- Internally adjustable limit switches
- Delay-on-Reverse Standard 1-1/2 hp and above (MO150 & MO200)
- 24-Volt control circuit with OPEN, CLOSE and STOP push button station
- OPEN button (and single button) will automatically override down travel and reverse door to the full open position
- External terminals for single button (residential type) radio control (electromechanical only)

FACTORY OPTIONS

- Solid state controller: Add S to model number
- Hood mounting bracket: P/N 190-107209
- Wall mounting bracket: P/N 190-107638
- MVP-MR 3-channel open-close-stop modular receiver installed (on solid state controller model only): P/N 2650-159
- MVP-RE-24V-8W-FC 1-door open-close-stop receiver (for electromechanical controller model only): P/N 190-110554

WARRANTY

- 2 years

Solid State Control

MO Series

GEARHEAD HOIST OPERATOR
Extra Heavy-Duty Commercial Operator

CUSTOMER _____

PROJECT _____

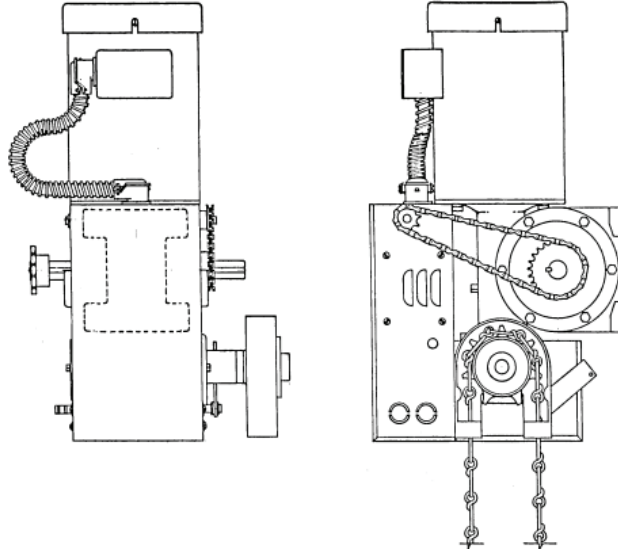
ARCHITECT/ENGINEER _____

CONTRACTOR _____

DRAWING NUMBER _____

DATE _____

SHEET _____ OF _____



ORDERING INFORMATION:

SUPPLY _____ **LINEAR OPERATOR(S)** MODEL M O _ _ _ S _____

WITH A MOTOR RATING OF _____ HP, _____ VOLTS, _____ PHASE, _____ HERTZ

FOR A _____ WIDE X _____ HIGH DOOR(S) WITH _____

SUPPLY _____ OPEN-CLOSE-STOP CONTROL STATION(S) IN NEMA _____ ENCLOSURE PER OPERATOR

_____ DRIVE SPROCKET _____ DOOR SPROCKET

AUXILIARY AND OPTIONAL EQUIPMENT AS SPECIFIED BELOW OR ON ATTACHED SHEET:

ARCHITECTURAL SPECIFICATIONS (FLOOR DISCONNECT):

Electric door operator(s) shall be Solid State Control Model MO of the gearhead hoist type, manufactured by Linear LLC and Underwriters Laboratory (UL) listed. Horsepower, voltage and phase will be as required to properly operate the door. Operators will be equipped with speed reduction (enclosed gear reducer having a worm gear running in oil bath). A floor level disconnect device will be provided for mechanical disengagement to allow for manual door operation. The operator will be equipped with an integral limit system that provides accurate settings to control the open and close positions of the door and will not be affected by manual door operation or motor removal. The motor and operator will be protected against overload by a thermal protector and will be equipped with a solenoid operated brake with internal expanding 360 degree brake shoe. The operator will have a 24VAC secondary solid state control circuit with advanced switch selectable features, motor load delivered via high amperage, inductive load rated relays. The operator will have provisions for connecting open-close-stop pushbutton stations, radio controls, and external obstruction sensing (reversing) systems. Operator will drive the door at a speed of approximately 8-10 inches per second.

NOTES:

REFER TO PRODUCT DATA SHEET FOR GENERAL INFORMATION

REFER TO DRAWING _____ FOR WIRING DIAGRAM

LINEAR LLC
1950 Camino Vida Roble Ste. 150
Carlsbad, CA 92008

Phone 800-421-1587
Fax 800-468-1340
Website www.linearcorp.com

