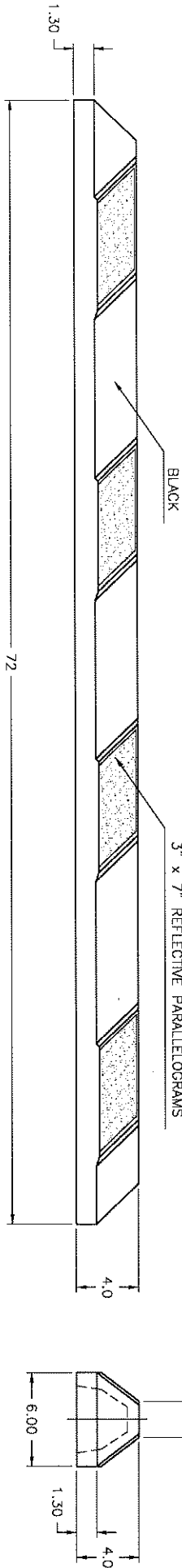
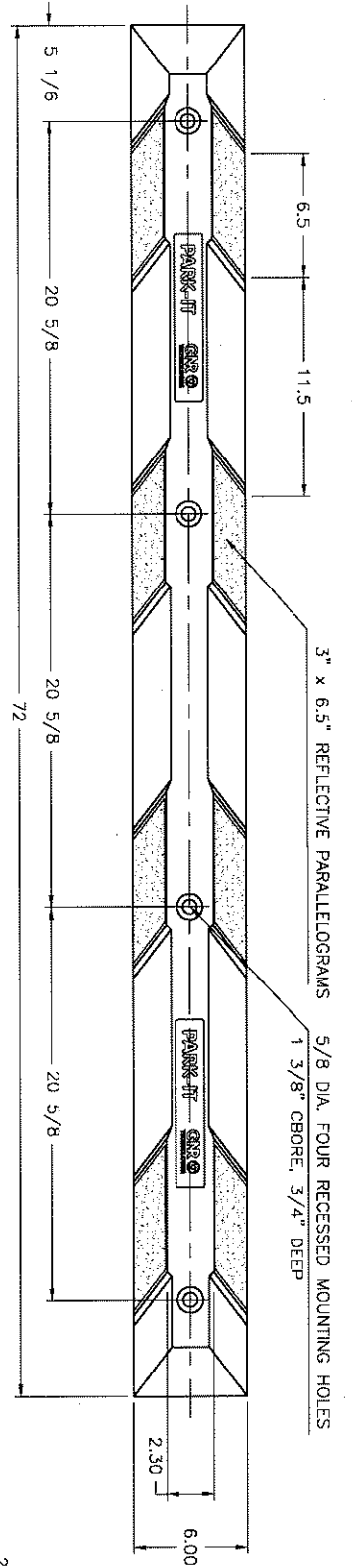
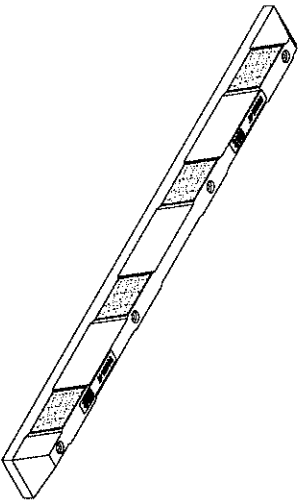
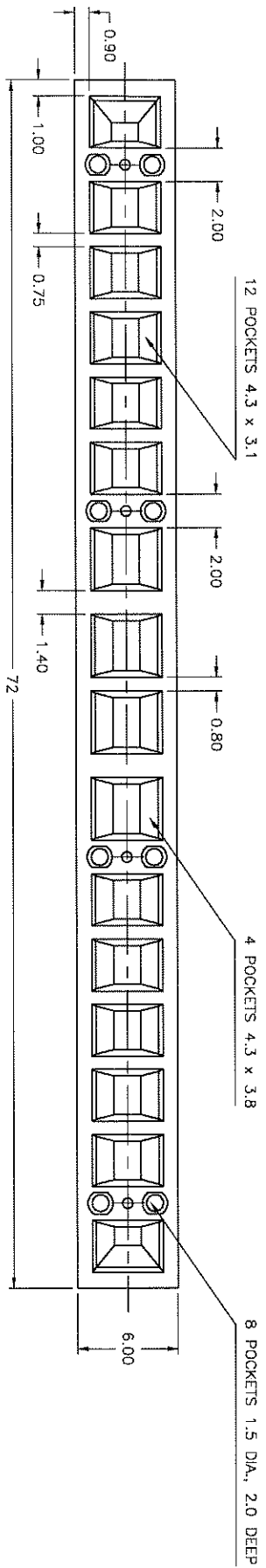


**TOP VIEW**



**BOTTOM VIEW**



**PRODUCT SPECIFICATIONS:**

1. MATERIAL: COMPRESSION MOLDED RECYCLED RUBBER COMPOSITE
2. NOMINAL DIMENSIONS: 72"L x 6"W x 4"H
3. NOMINAL WEIGHT OF THE PRODUCT: 34 lbs.
4. COLOR: BLACK WITH REFLECTIVE YELLOW, BLUE OR WHITE STRIPES

**GNR TECHNOLOGIES INC.**

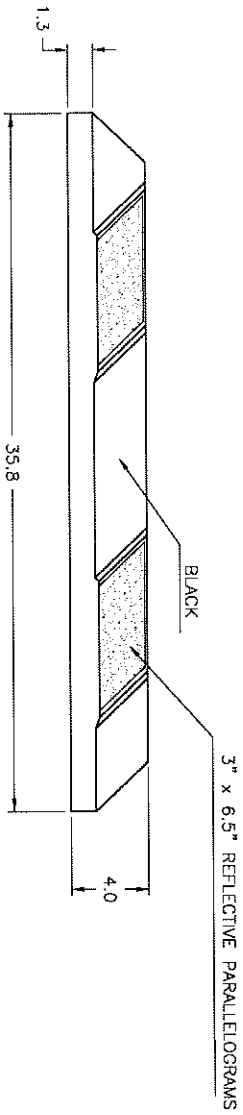
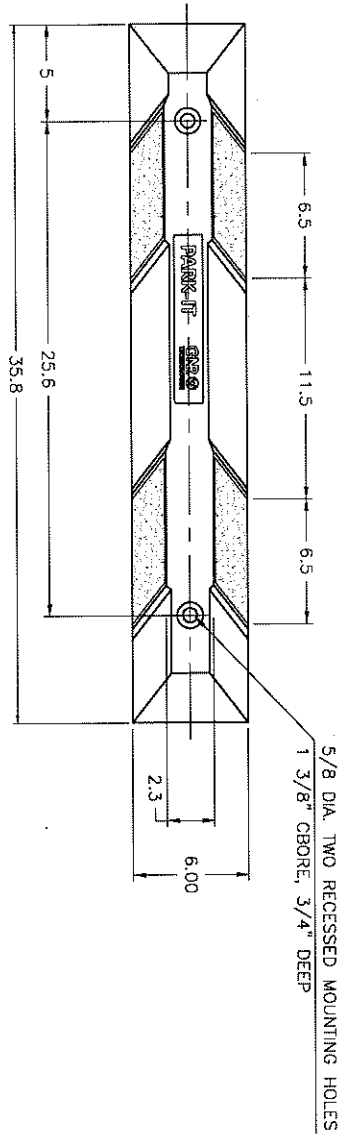
**RUBBER PARKING CURB**

**6 FT. MODEL**

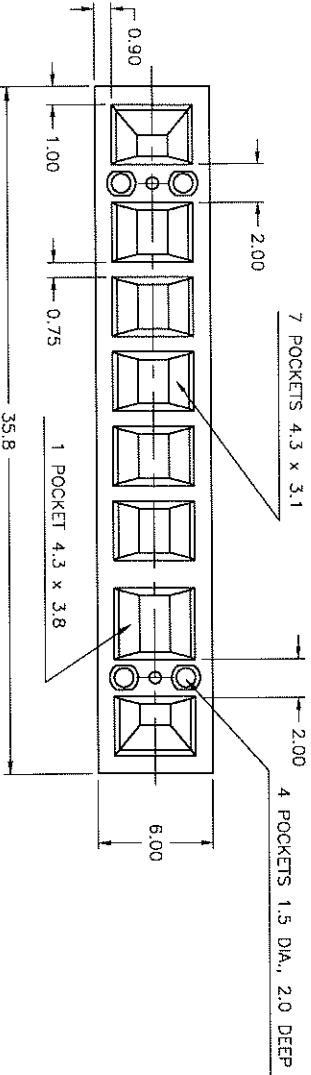
UNLESS OTHERWISE SPECIFIED:		DIMENSIONS ARE IN INCHES	
DECIMALS TOLERANCES		ANGULAR	
.X ± 1/8"		± .05°	
.XX ± 1/16"			
DRAWN	S. JONASZ	DATE	JUL. 26/99
CHECKED	S. JONASZ	DATE	JUL. 26/99
DESIGN	S. JONASZ	DATE	JUL. 26/99
SCALE	1=5	DWG NO.	34PC02V3
MATERIAL		SHEET	
		SIZE	C

THIS DRAWING IS THE PROPERTY OF GNR TECHNOLOGIES INC. AND MAY NOT BE REPRODUCED, PUBLISHED, COPIED OR OTHERWISE USED FOR ANY PURPOSES WITHOUT WRITTEN PERMISSION FROM GNR TECHNOLOGIES INC.

**TOP VIEW**

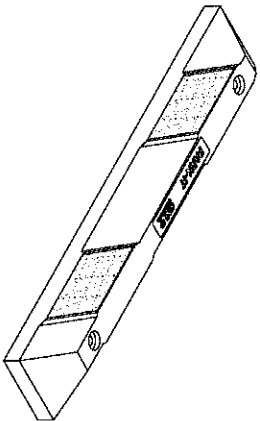
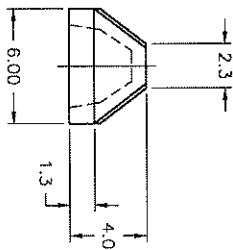


**BOTTOM VIEW**



REV.	DESCRIPTION	DATE	APPROVED

**REVISIONS**



**PRODUCT SPECIFICATIONS:**

1. MATERIAL: COMPRESSION MOLDED RECYCLED RUBBER COMPOSITE
2. NOMINAL DIMENSIONS: 35 3/4" L x 6" W x 4" H
3. NOMINAL WEIGHT OF THE PRODUCT: 17 lbs.
4. COLOR: BLACK WITH REFLECTIVE YELLOW, BLUE OR WHITE STRIPES

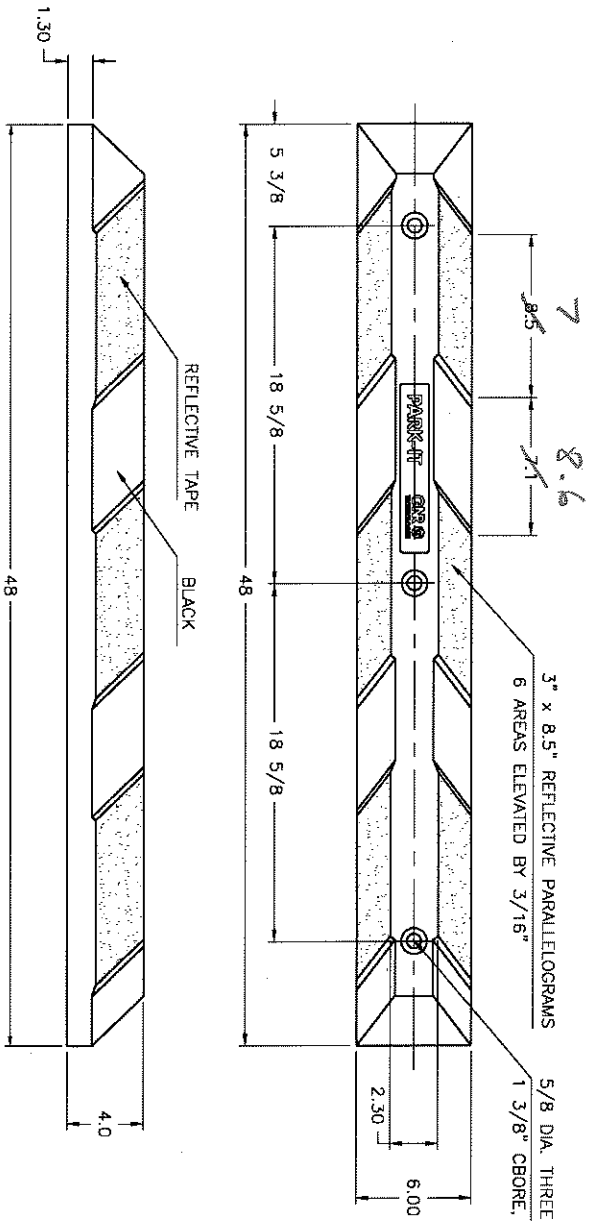
**GNR TECHNOLOGIES INC.**

**RUBBER PARKING CURB**  
3 FT. MODEL

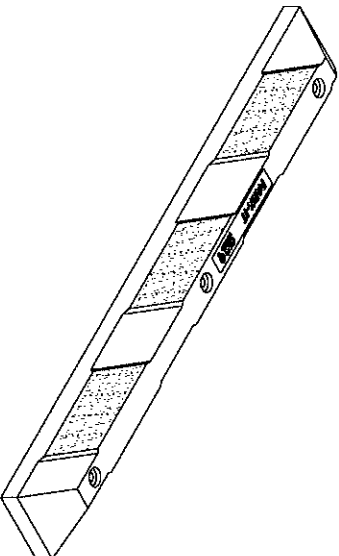
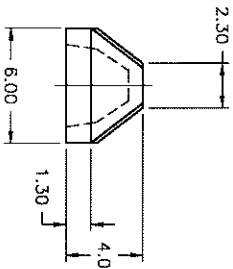
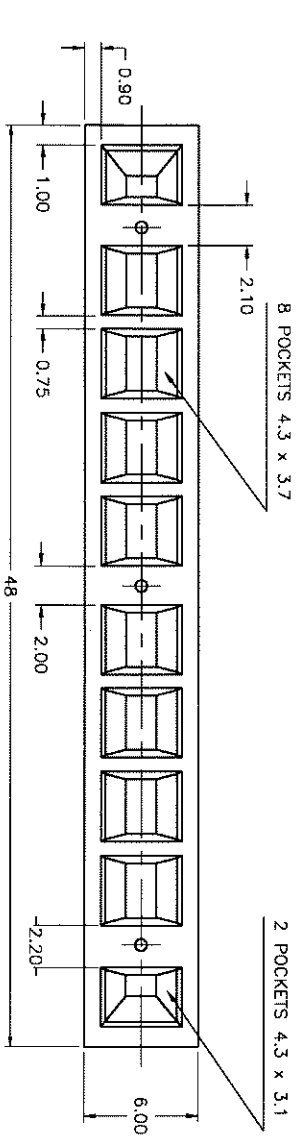
UNLESS OTHERWISE SPECIFIED: DIMENSIONS ARE IN INCHES DECIMALS TOLERANCES ANGULAR ±.05° "X" ± 1/8" "X" ± 1/16"		SCALE 1=5		DWG NO 17PC02V2-2		SIZE C	
DRAWN S. JOWASZ	DATE JUL 26/99	CHECKED S. JOWASZ	DATE JUL 26/99	MATERIAL	SHEET		
DESIGN S. JOWASZ		DATE JUL 26/99					

THIS DRAWING IS THE PROPERTY OF GNR TECHNOLOGIES, INC. AND MAY NOT BE REPRODUCED, COPIED, OR TRANSMITTED IN ANY FORM OR BY ANY MEANS, ELECTRONIC OR MECHANICAL, WITHOUT THE WRITTEN PERMISSION FROM GNR TECHNOLOGIES, INC.

**TOP VIEW**



**BOTTOM VIEW**



**PRODUCT SPECIFICATIONS:**

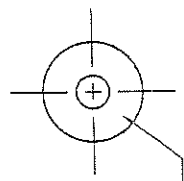
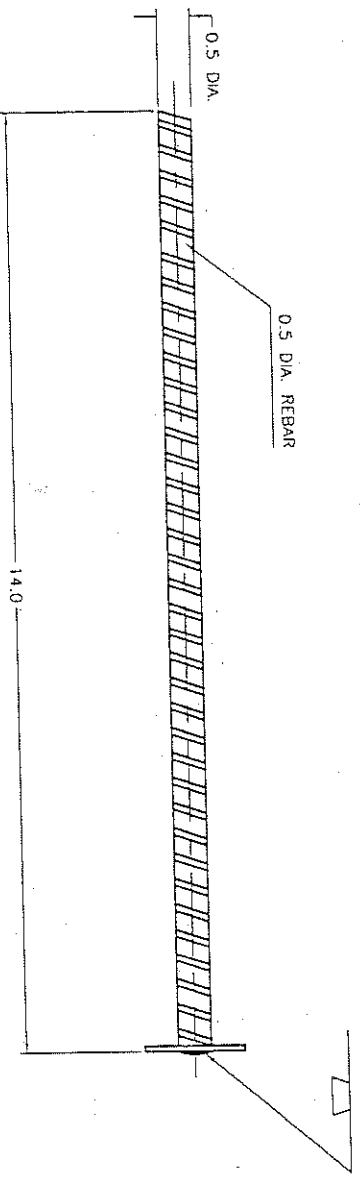
1. MATERIAL: COMPRESSION MOLDED RECYCLED RUBBER COMPOSITE
2. NOMINAL DIMENSIONS: 48"L x 6"W x 4"H
3. NOMINAL WEIGHT OF THE PRODUCT: 22 lbs.
4. COLOR: BLACK WITH REFLECTIVE YELLOW, BLUE OR WHITE STRIPES

**GNR TECHNOLOGIES INC.**

**RUBBER PARKING CURB  
4PT. MODEL**

UNLESS OTHERWISE SPECIFIED: DIMENSIONS ARE IN INCHES		SCALE		DWG NO. 22PC02V2		SIZE	
DECIMALS	ANGULAR	1 = 5					C
.x ± 1/16"	± .05°	CHECKED	DATE	MATERIAL	SHEET		
.xx ± 1/16"		DESIGN	DATE				
		S. JONASZ	JUL. 26/99				

THE DRAWING IS THE PROPERTY OF GNR TECHNOLOGIES INC. AND NOT BE REPRODUCED, PUBLISHED, COPIED OR USED FOR MANUFACTURING PURPOSES WITHOUT WRITTEN PERMISSION FROM GNR TECHNOLOGIES INC.



1-3/8 O.D. FLAT WASHER

NOTE:

THE WEIGHT OF THE SPIKE: 0.88 LB.

THIS DRAWING IS THE PROPERTY OF GNR TECHNOLOGIES INC. AND MAY NOT BE DUPLICATED, PUBLISHED, DISCLOSED TO OTHERS NOR USED FOR MANUFACTURING PURPOSES WITHOUT WRITTEN PERMISSION FROM GNR TECHNOLOGIES INC.

**GNR TECHNOLOGIES INC.**

0.5" DIA., L=14" REBAR SPIKE

UNLESS OTHERWISE SPECIFIED: DIMENSIONS ARE IN INCHES	
DECIMALS	TOLERANCES
x ± 0.1	ANGULAR
** ± 0.06	± 0.5°
*** ± 0.03	✓
DATE	DATE
SEP. 18/95	SEP. 18/95
DESIGN	CHECKED
S.JONASZ	S.JONASZ
DATE	DATE
SEP. 18/95	SEP. 18/95

SCALE	DWG NO.	REV.
1=10	05SP01	
MATERIAL	SHEET	
STEEL		