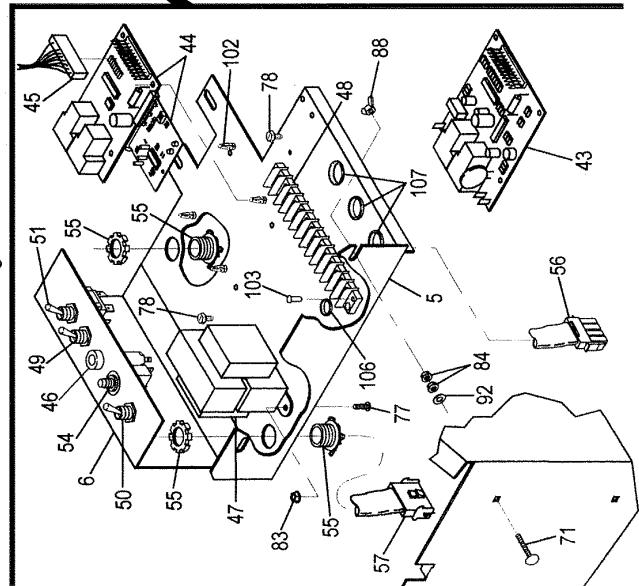
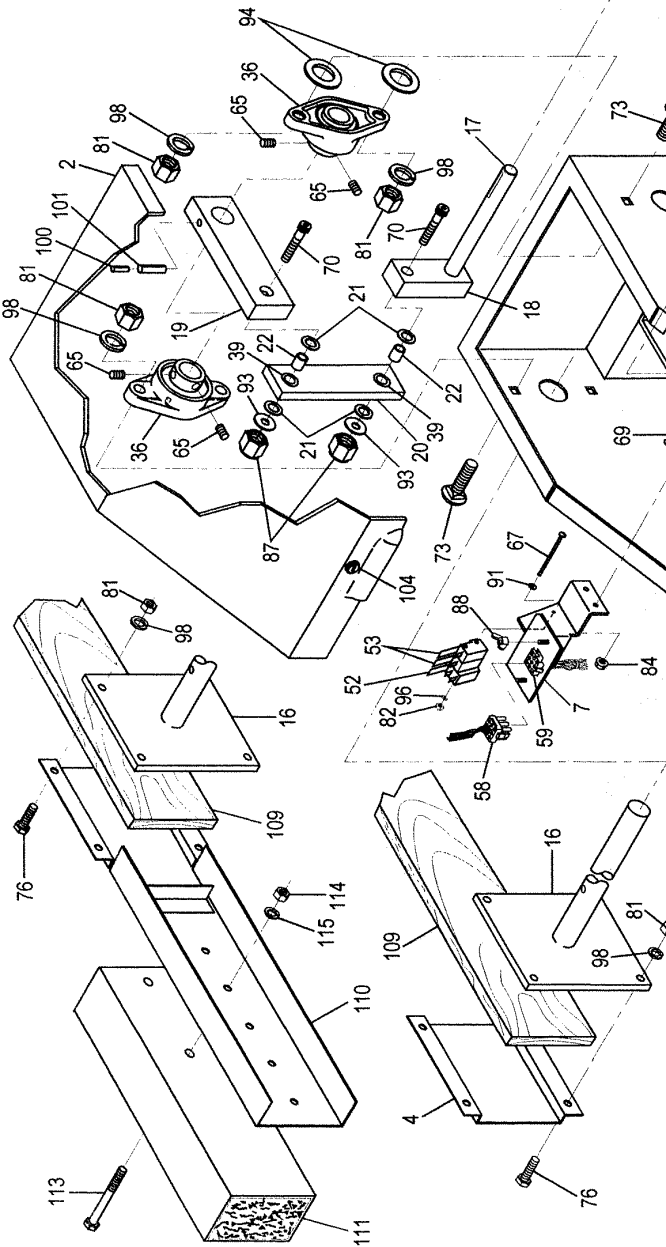
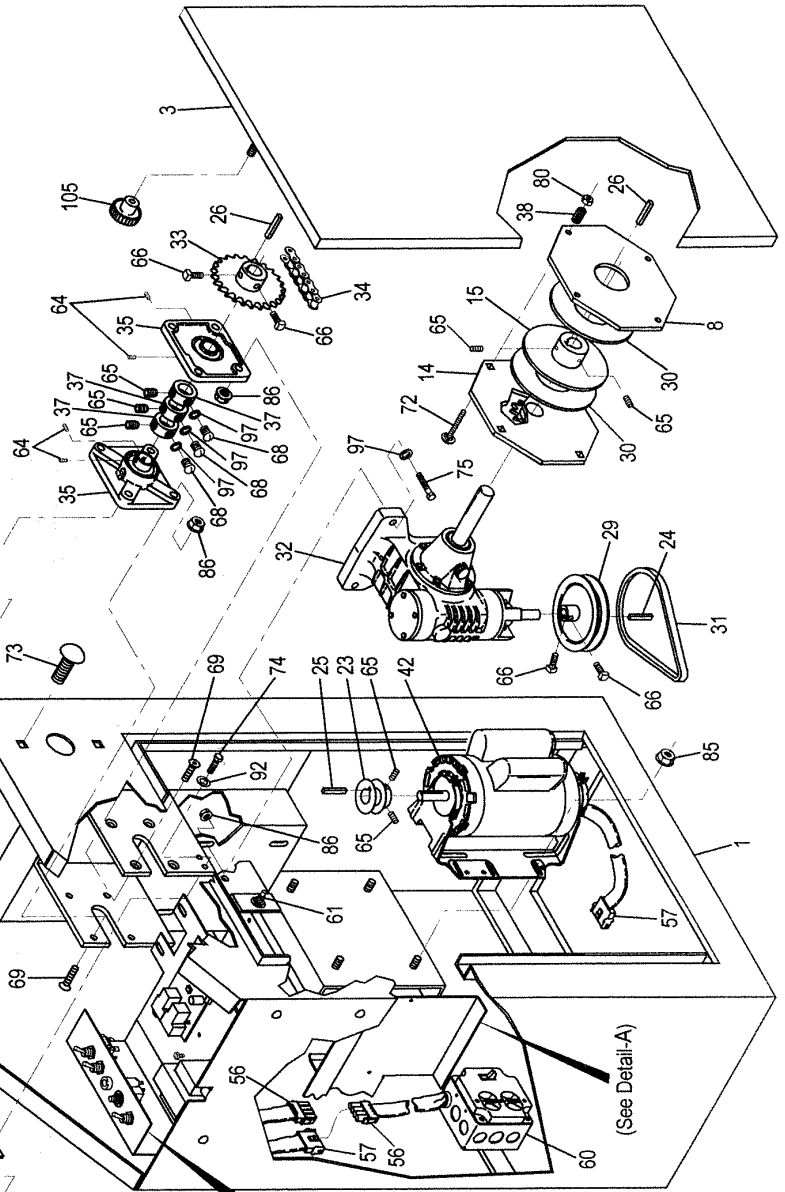
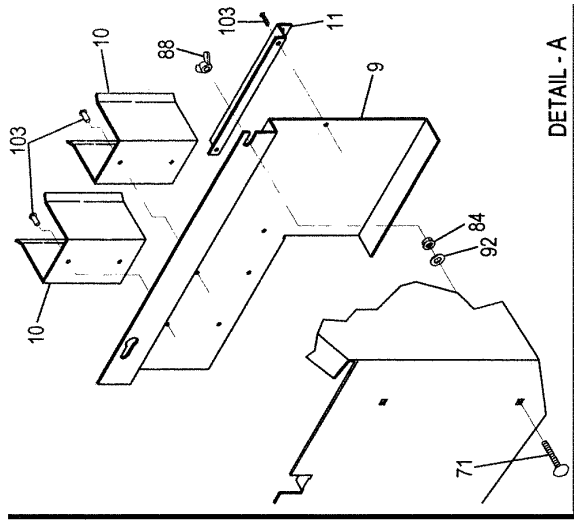


# Powermaster SBG (P1500) Exploded View



(See Detail-A)

OPERATOR MODEL  
"SBG (P1500)"

# SBG (P1500)

ITEM	QTY.	DESCRIPTION	PARTS #
1	One	Main housing weldment	900
2	One	Cover	901
3	One	Side door	987
4	One	Arm cap	902-1
5	One	Electrical plate	970
6	One	Switch panel	971
7	One	Limit switch mounting bracket	973
8	One	Pressure plate	1016
9	One	Accessory plate	969
10	Two	Loop detector bracket	3704
11	One	Radio control bracket	968
12			
13			
14	One	Cluster weldment	1035
15	One	Drive plate weldment	1029
16	One	Drive shaft weldment	910
17	One	Intermediate shaft	906
18	One	Lower control arm	904
19	One	Upper control arm	905
20	One	Drive link	935
21	Four	Brass washer (spacer)	936
22	Two	Bearing spacer	941
23	One	Motor pulley	AS2062
24	One	3/16" Square key	SK316X1.250
25	One	3/16" Square key	SK316X1.375
26	Two	1/4" Square key	SK14X1.250
27			
28			
29	One	5" "A" Drive sheave	AS-5062
30	Two	Clutch disc	1034CSW
31	One	V-belt	4L-220
32	One	Gear reducer	V.E.-55
33	One	Intermediate sprocket	7313
34	One	Drive roller chain	RC50X41
35	Two	1" Four bolt flange bearing	UCF20516
36	Two	1-1/4" Two bolt flange bearing	UCFL20720
37	Three	Limit collar	SC100-L
38	Four	Clutch spring	C.120
39	Two	Plain bearing	PBO-751050
40			
41			
42	One	Motor	100802
43	One	Control board (as req'd.)	BARCON1
44	One	or Control board/timer board (as req'd.)	PRB3/ACT
45	One	12 Pin wiring harness	12P-HRAN
46	One	2 Amp Resettable fuse	REY0022

# SBG (P1500)

ITEM	QTY.	DESCRIPTION	PARTS #
47	One	Transformer	TU1-2440VA
48	One	14 Position terminal strip	TS-114
49	One	Timer toggle switch	CB201-73
50	One	ON/OFF switch	2GK51-73
51	One	OPEN/CLOSE switch	6GM5B-78
52	One	Double limit switch	LS-DAT-#6
53	Two	Single limit switch	LS-AT #2
54	One	1Ø Overload reset switch	MB-07
55	Two	Straight connector	501-DC2
56	Two	4 Pin male connector	4P-MCON
57	Two	4 Pin female connector	4P-FCON
58	One	9 Pin male connector	9P-MCON
59	One	9 Pin female connector	9P-FCON
60	One	4" Square 15A, 120V incoming power switch box with outlet	V353D
61	One	Interlock switch	IS #10
62			
63			
64	Four	Socket set screw	1404SSC
65	Eleven	Socket set screw	3105SSC
66	Four	Square head set screw	SQ51618X.625
67	Two	Pan head machine screw	0640MSP
68	Three	Round head machine screw	1406MSR
69	Eight	Flat socket head cap bolt	3220CSFL
70	Two	Socket head cap bolt	5032CSP
71	Four	Carriage bolt	1424C
72	Four	Carriage bolt	3736C
73	Four	Carriage bolt	5024C
74	Two	Hex head tap bolt	1410BHT
75	Four	Hex head cap bolt	3724CH2
76	Four	Hex head cap bolt	5024CH2
77	Two	Hex washer head machine screw	0808MSW
78	Two	Hex washer head machine screw (green)	1106MSW
79			
80	Four	Hex jam nut	37NJ
81	Eight	Hex nut	50NF
82	Two	Serrated hex flange nut	06NR
83	Two	Serrated hex flange nut	08NR
84	Ten	Serrated hex flange nut	14NR
85	Four	Serrated hex flange nut	31NR
86	Twelve	Serrated hex flange nut	37NR
87	Two	Nylon insert stop nut	50NS
88	Six	Wing nut	14NWC
89			
90			
91	Two	Flat washer	06WSAE

# SBG (P1500)

ITEM	QTY.	DESCRIPTION	PARTS #
92	Six	Flat washer	14WSAE
93	Two	Flat washer	50WSAE
94	Two	Flat washer	75WSAE
95			
96	Two	Lock washer	06WS
97	Seven	Lock washer	37WS
98	Eight	Lock washer	50WS
99			
100	Two	Roll pin	R218X100
101	One	Roll pin	R375X200
102	Five	Plastic stand off	PSO-14
103	Eight	Rivet	1624-0041
104	One	Lock cylinder assembly	3795-6T
105	One	Phenolic knob	HK-3816
106	One	1/2" Grommet	G-50
107	Three	7/8" Grommet	G-87
108			
109	One	Arm (length as required)	912
		"Following parts are required for operators that require counter weights"	
110	One	Weight carrier bracket	811
111	As Req.	Single counter weight	911
112	As Req.	Double counter weight (not shown)	978
113	AS Req.	Hex cap bolt	5064-CH2
114	As Req.	Hex nut	50NF
115	As Req.	Lock washer	50WS

Distributed by:

**AFW Access Systems**

3670 NW 79th Street

Miami, FL 33147

Phone: 305-691-7711

Fax: 305-693-1386

E-mail: sales@anchormiami.com

Visit [www.AnchorMiami.com](http://www.AnchorMiami.com)