

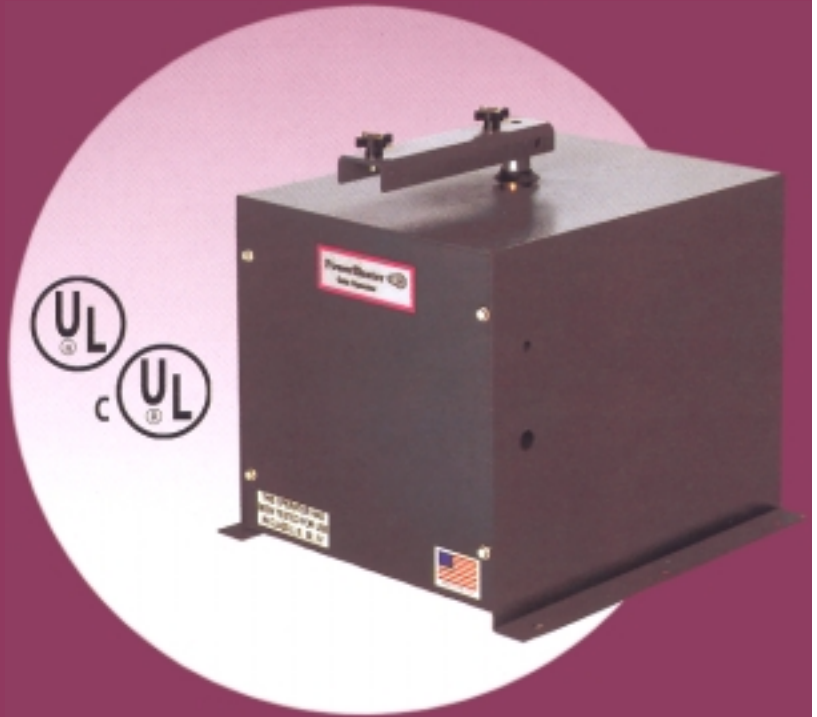
Power Master



Model CSWC 2000 SWING GATE OPERATOR

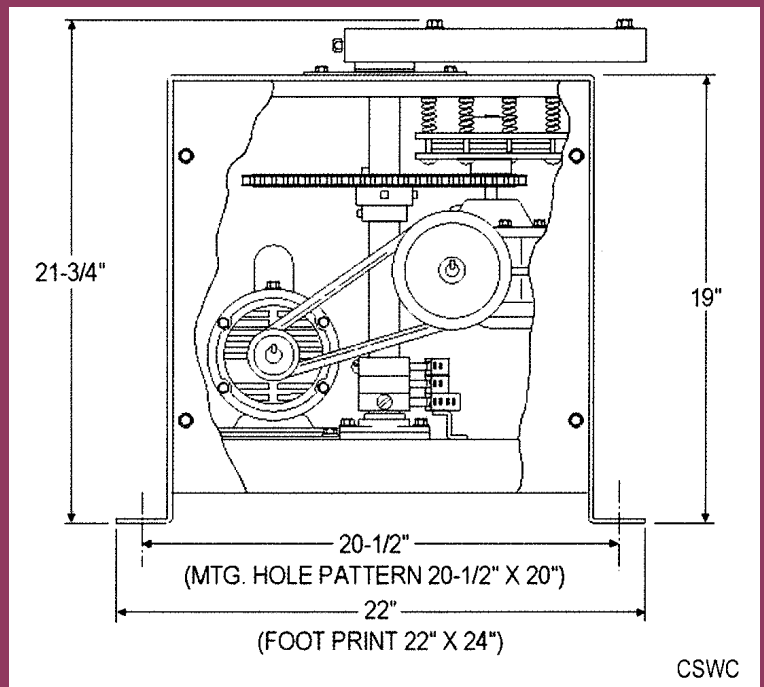
ELECTRICAL FEATURES

- Solid state control board with diagnostic LEDs to indicate all input and output functions.
- External control, input terminal connections for:
 - Radio Receivers
 - Push Button Control Station
 - Key Switches
 - Loop Detectors
 - Card Key Readers
 - Telephone Entry Systems, etc.
- Timer to close with 0-60 sec. adjustment standard. Longer timer available upon request.
- Maximum run timer for equipment protection (self adjusting)
- Master/Slave option with dedicated terminal connection provided.
- Easy Left/Right changeover.
- Time delay on reverse to ensure smooth gate motion and less stress on equipment.
- Spike suppressing circuitry for surge and lightning protection.
- Emergency control enabling circuitry for safety with security.
- Electrical dynamic brake for precise gate positioning.
- Magnetic gate lock control circuitry with 115 Volts output terminal.
- Integral current sensing, anti-entrapment circuitry with independent opening and closing sensitivity adjustments.
- External anti-entrapment circuitry with separate terminal connections for easy installation of contact and non-contact sensors.
- ½ HP, 115 Volts AC, 6 Amp., 1 phase, instant reversing, switchless, PSC motor, with thermal overload protection, high speed ball bearing and resilient mount for smooth, quiet operation.
- Internal ON/OFF power switch.
- Two grounded 115 Volts AC, 15 Amp. Convenience receptacles.
- NEMA 1 one-button control station included.



TECHNICAL SPECIFICATIONS

- Power requirements: 115 Volts, 1 Phase
- Class 2 low voltage control circuit
- Available horse power: 1/2 HP
- Maximum gate weight: 1500 lb
- Maximum cycles per hour: 35 CPH
- Maximum gate width: 25 feet
- Gate speed: 13 sec. From open to close.
- U/L 325 listed for use in Class I through IV applications.
- Shipping weight: approx. 220 lb



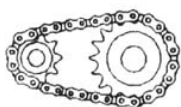
MECHANICAL FEATURES

- Heavy duty #11 Ga. Galvanized steel frame providing a strong and durable unit.
- #16 Gauge galvanized steel, lockable exterior cover for drip proof water protection.
- Hard shell, baked-on weather resistant powder coating, with an attractive textured finish, for years of aesthetic protection from the elements.
- Timing belt primary reduction for smooth, quiet and positive operation.
- Heavy Duty 45:1 oil bath type gear reducer for long service and dependable operation.
- Heavy Duty #40 sprocket and roller chain arrangement for final drive reduction.
- Heavy Duty pillow block type ball bearing supporting output drive shaft and enabling extended endurance under heavy loads with low maintenance.
- Drive arm easily disconnected for manual operation in case of power failure.
- Easy adjustable limit switch cams for precision gate positioning.
- Soft start and stop at open and close limits of travel, due to the inherent geometry of the articulating drive arm linkage.
- Pad mounted for a strong, solid installation.

OPTIONAL EQUIPMENT

- Radio Control.
- Safety Edge (contact safety sensor)
- Photo Cell (non contact safety sensor).
- Loop Detector.
- Card Key Reader
- Magnetic Gate Lock
- Gear Box Heater (for cold climates)
- Thermostatically Controlled Cooling Fan (for hot climates).
- Interior and Exterior Control Stations:
 - Push Buttons
 - Push Buttons with Keyed Lockout
 - Key Switches
- Padlockable Option to secure covers for increased tamper proof protection
- Three seconds Advance Audio Warning Signal, available upon request.
- Slow speed option (16 sec. From open to close)

Manufactured by:



John Greene Corporation
3516 East Norvell Bryant Hwy.
Hernando, FL 34442

Distributed by:



AFW Access Systems
3670 NW 79th Street
Miami, FL 33147

